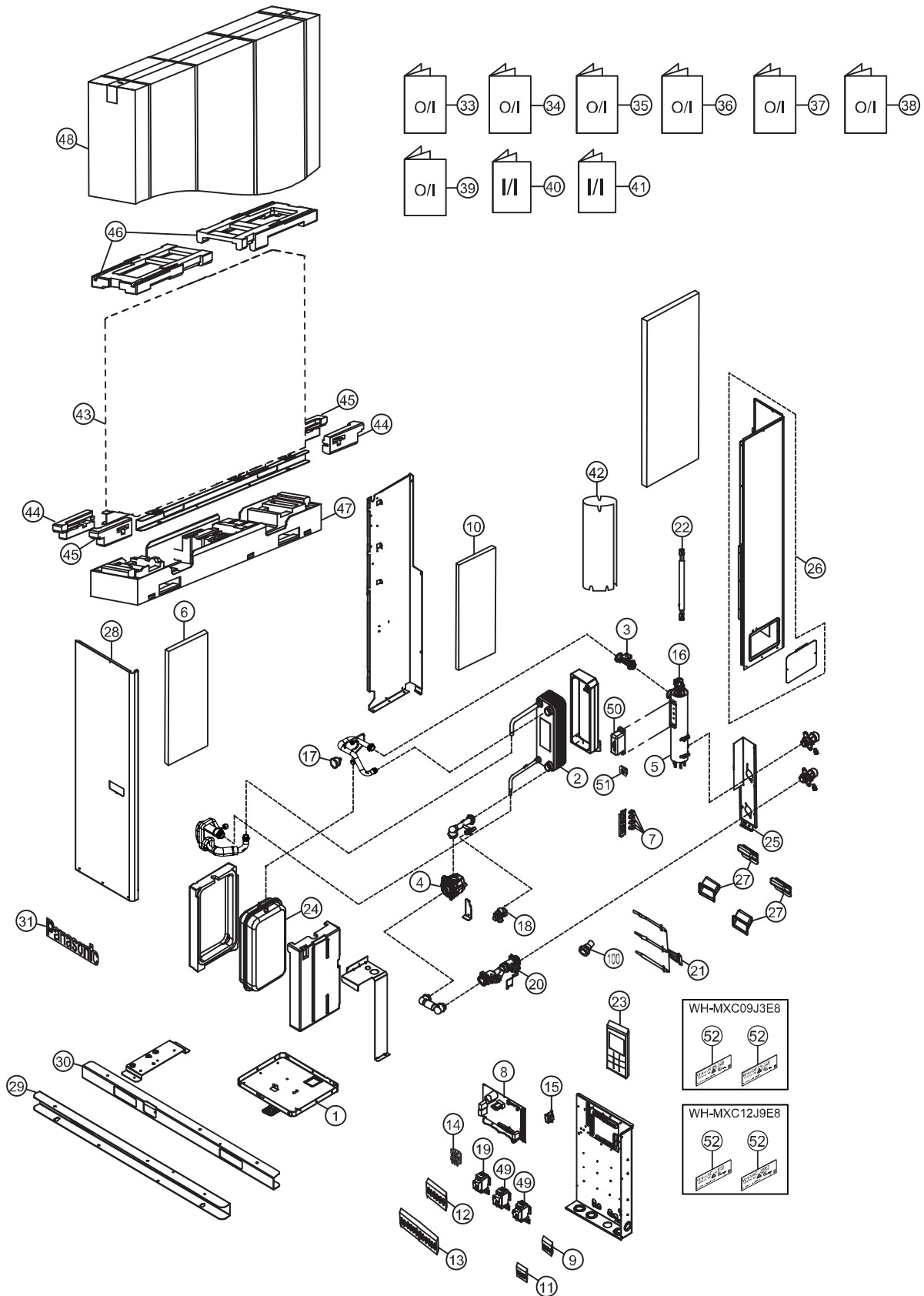


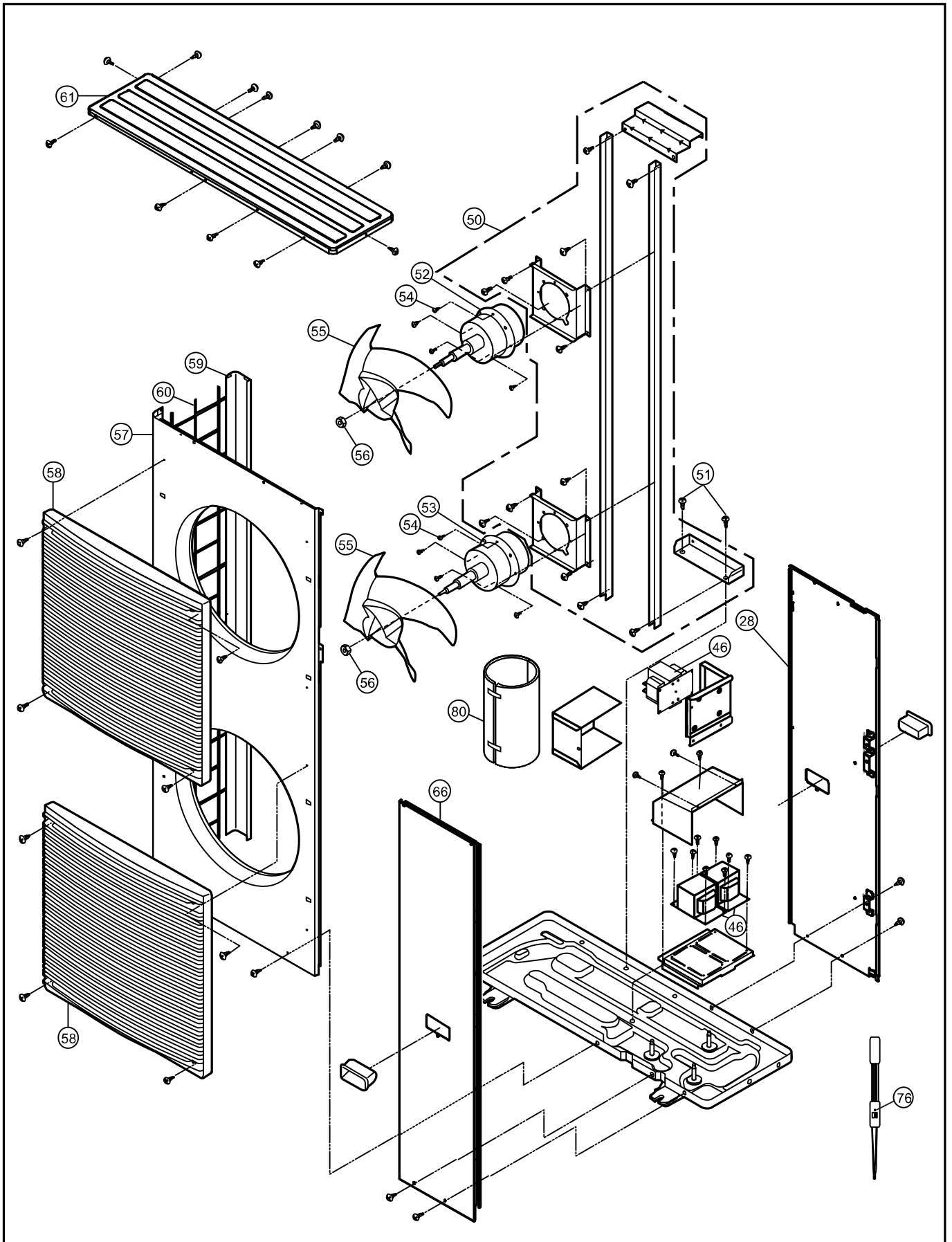
# 20. Exploded View and Replacement Parts List

## 20.1 Water System



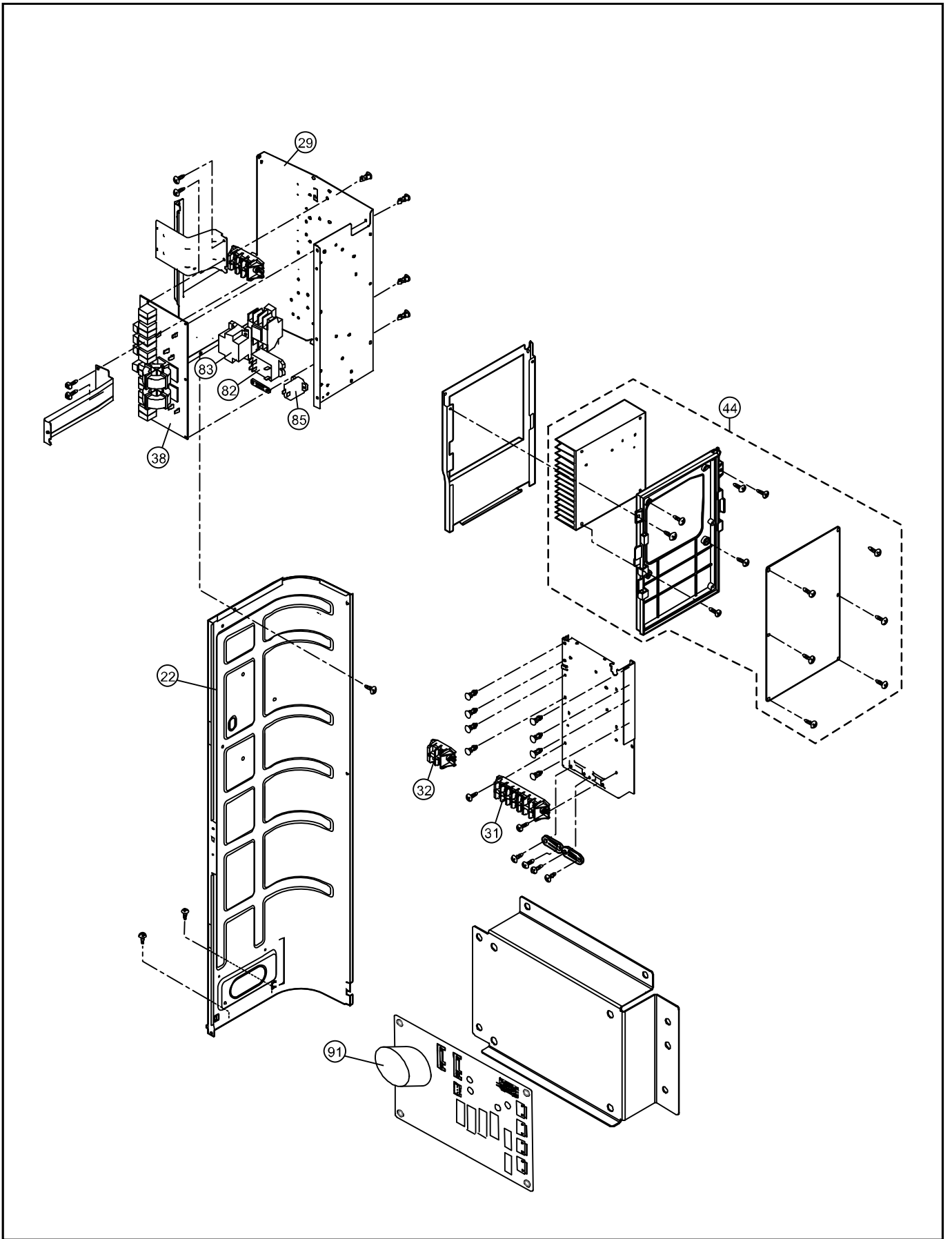
Note:  
 The above exploded view is for the purpose of parts disassembly and replacement.  
 The non-numbered parts are not kept as standard service parts.

## 20.2 Refrigerant System



Note:  
The above exploded view is for the purpose of parts disassembly and replacement.  
The non-numbered parts are not kept as standard service parts.






Note:  
The above exploded view is for the purpose of parts disassembly and replacement.  
The non-numbered parts are not kept as standard service parts.

<Water System>

SAFETY	REF. NO.	PART NAME & DESCRIPTION	QTY.	WH-MXC09J3E8	WH-MXC12J9E8	REMARK
	1	BASE PAN ASS'Y	1	ACXD52K02760	←	
⚠	2	HOT WATER COIL - COMPLETE	1	ACXB90C01450	←	
⚠	3	FLOW SWITCH	1	ACXB62-00930	←	
⚠	4	PUMP	1	ACXB53-00390	←	
⚠	5	HEATER ASS'Y	1	ACXA34K00380	ACXA34K00390	
	6	SOUND PROOF MATERIAL	1	CWG302594	←	
	7	THERMOSTAT	4	CWA151074	←	
⚠	8	ELECTRONIC CONTROLLER (MAIN)	1	ACXA73C7869R	ACXA73C7870R	
⚠	9	TERMINAL BOARD ASS'Y (A,B)	1	CWA28K1340	←	
	10	SOUND PROOF MATERIAL	1	CWG302599	←	
⚠	11	TERMINAL BOARD ASS'Y (1,2,3,4,5,6)	1	CWA28K1341	←	
⚠	12	TERMINAL BOARD ASS'Y (7,8,9,10,11,12)	1	CWA28K1340	←	
⚠	13	TERMINAL BOARD ASS'Y (13,14,15,16,17,18)	1	CWA28K1343	←	
⚠	14	TERMINAL BOARD ASS'Y (A) / (A,B)	1	CWA28K1260	CWA28K1238	
⚠	15	REACTOR	1	G0C103Z00003	←	
	16	AIR PURGE VALVE	1	ACXB62-00130	←	
	17	PRESSURE GAUGE	1	CWB070003	←	
	18	PRESSURE RELIEF VALVE	1	ACXB62-00740	←	
⚠	19	CIRCUIT BREAKER	1	CWA181005	-	
	20	FILTER COMPLETE	1	ACXB51C00100	←	
⚠	21	SENSOR - COMPLETE (WATER IN, OUT, REF TEMP)	1	ACXA50C16670	←	
⚠	22	SENSOR - COMPLETE (HEX WATER OUTLET)	1	ACXA50C13140	←	
⚠	23	REMOTE CONTROL COMPLETE	1	ACXA75C15751	←	
	24	RECEIVER	1	CWB141039	←	
	25	HOLDER COUPLING	1	ACXH35-01510A	←	
	26	CABINET SIDE PLATE	1	ACXE04-12210A	←	
	27	HANDLE	4	ACXE16-00100	←	
	28	CABINET FRONT PLATE	1	ACXE06-03550A	←	
	29	CONNECTING BAR	1	CWE261313A	←	
	30	CONNECTING BAR	1	CWE261214A	←	
	31	PANASONIC BADGE	1	CWE373439	←	
	33	OPERATING INSTRUCTION	1	ACXF55-30920	←	
	34	OPERATING INSTRUCTION	1	ACXF55-30930	←	
	35	OPERATING INSTRUCTION	1	ACXF55-30940	←	
	36	OPERATING INSTRUCTION	1	ACXF55-30950	←	
	37	OPERATING INSTRUCTION	1	ACXF55-30960	←	
	38	OPERATING INSTRUCTION	1	ACXF55-30970	←	
	39	OPERATING INSTRUCTION	1	ACXF55-30980	←	
	40	INSTALLATION INSTRUCTION	1	ACXF60-43800	←	
	41	INSTALLATION INSTRUCTION	1	ACXF60-41781	←	

SAFETY	REF. NO.	PART NAME & DESCRIPTION	QTY.	WH-MXC09J3E8	WH-MXC12J9E8	REMARK
	42	SOUND PROOF MATERIAL	1	ACXG30-07663	←	
	43	BAG	1	CWG861452	←	
	44	SHOCK ABSORBER	2	CWG713660	←	
	45	SHOCK ABSORBER	2	CWG713661	←	
	46	SHOCK ABSORBER	2	CWG713662	←	
	47	BASE BOARD - COMPLETE	1	ACXG62C02080	←	
	48	C.C. CASE	1	ACXG50-57120	←	
	49	CIRCUIT BREAKER	1 / 2	CWA181008	←	
	50	TERMINAL COVER	1	CWH171051	←	
	51	GASKET FOR TERMINAL COVER	1	CWB811177	←	
	52	MODEL LABEL	2	ACXF85-73280	ACXF85-73290	

**Note:**

- All parts are supplied from PAPAMY, Malaysia (Vendor Code: 00029488).
- "O" marked parts are recommended to be kept in stock.

<Refrigerant System>

SAFETY	REF. NO.	PART NAME & DESCRIPTION	QTY.	WH-MXC09J3E8	WH-MXC12J9E8	REMARK
	1	BASE PAN ASS'Y	1	CWD52K1276	←	
⚠	2	COMPRESSOR	1	9JD420XBA22	←	
	3	BUSHING - COMPRESSOR MOUNT	3	CWH50055	←	
	4	NUT - COMPRESSOR MOUNT	3	CWH561049	←	
⚠	5	CRANKCASE HEATER	1	ACXA34-00110	←	
	6	CONDENSER COMPLETE	1	ACXB32C25160	←	
	7	HIGH PRESSURE SENSOR	1	ACXA50-05990	←	
	8	DISCHARGE MUFFLER	1	ACXB12-01450	←	
	9	HIGH PRESSURE SWITCH	1	ACXA10-00650	←	
	10	3-WAYS VALVE (GAS)	1	CWB011699	←	
	11	4-WAYS VALVE	1	CWB001046	←	
	12	3-WAYS VALVE (LIQUID)	1	CWB011700	←	
	13	STRAINER	3	CWB111032	←	
	14	GASKET FOR TERMINAL COVER	3	CWB811017	←	
	20	SOUND PROOF MATERIAL	1	ACXG30-12020	←	
	21	SOUND PROOF MATERIAL	1	ACXG30-12030	←	
	22	SOUND PROOF BOARD	1	CWH151243	←	
⚠	23	V-COIL COMPLETE (4 WAY VALVE)	1	CWA43C2169J	←	
⚠	24	V-COIL COMPLETE (MAIN EXPANSION VALVE)	1	ACXA43C06900	←	
⚠	25	SENSOR - COMP. (OUTDOOR AIR, PIPE TEMP)	1	ACXA50C16850	←	
⚠	26	SENSOR - COMP. (DISCHARGE TEMP)	1	CWA50C2576	←	
	28	CABINET REAR PLATE - COMPLETE	1	ACXE02-02020A	←	
	29	CONTROL BOARD CASING ASSY	1	CWH10K1228	←	
⚠	30	SENSOR - COMP. (DEFROST TEMP)	1	CWA50C2577	←	
	31	TERMINAL BOARD ASS'Y (1,2,3,4,5)	1	CWA28K1240	←	
	32	TERMINAL BOARD ASS'Y (L,N)	1	CWA28K1335	←	
	34	TERMINAL COVER	1	CWH171039A	←	
	35	NUT - TERMINAL COVER	1	CWH7080300J	←	
⚠	38	ELECTRONIC CO. (NOISE FILTER)	1	ACXA73-36070	←	
⚠	44	ELECTRONIC CONTROLLER (MAIN)	1	ACXA73C7872R	ACXA73C7873R	
⚠	46	REACTOR	3	G0C392J00039	←	
	50	FAN MOTOR BRACKET ASSY	1	ACXD54K02340	←	
	51	SCREW - FAN MOTOR BRACKET	2	CWH551040J	←	
⚠	52	FAN MOTOR (UPPER)	1	L6CBYYYYL0362	←	
⚠	53	FAN MOTOR (LOWER)	1	L6CBYYYYL0363	←	
	54	SCREW - FAN MOTOR MOUNT	8	CWH551323	←	
	55	PROPELLER FAN ASSY	2	CWH00K1006	←	
	56	NUT	2	CWH561092	←	
	57	CABINET FRONT PLATE	1	CWE061098A	←	
	58	DISCHARGE GRILLE	2	CWE201154	←	

SAFETY	REF. NO.	PART NAME & DESCRIPTION	QTY.	WH-MXC09J3E8	WH-MXC12J9E8	REMARK
	59	CABINET SIDE PLATE ASSY	1	CWE04K1023A	←	
	60	WIRE NET	1	CWD041069	←	
	61	CABINET TOP PLATE	1	ACXE03C00880	←	
	62	ACCESSORY CO. (RUBBER CAP)	1	CWH82C1839	←	
	66	CABINET FRONT PLATE	1	CWE061274A	←	
	68	TUBE ASSY (CAP.TUBE)	1	ACXT07K09171	←	
	70	EXPANSION VALVE (1)	1	CWB051091	←	
	71	EXPANSION VALVE (2)	1	CWB051029	←	
	72	2-WAYS VALVE (LIQUID)	1	CWB021637	←	
⚠	73	V-COIL COMPLETE (2-WAY VALVE)	1	CWA43C2607	←	
⚠	74	V-COIL COMPLETE (BYPASS EXPANSION VALVE)	1	CWA43C2335	←	
	75	ACCESSORY CO. (DRAIN ELBOW)	1	CWG87C900	←	
⚠	76	HEATER	1	CWA341071	←	
	78	HIGH PRESSURE SENSOR	1	CWA50C3165	←	
	80	SOUND PROOF MATERIAL	1	CWG302598	←	
⚠	82	ELECTRO MAGNETIC SWITCH	1	K6C2AGA00002	←	
⚠	83	ELECTRO MAGNETIC SWITCH	1	K6C4E8A00001	←	
⚠	85	PTC THERMISTORS	1	D4DDG1010001	←	
⚠	87	LEADWIRE COMPRESSOR	1	ACXA60C84610	←	
⚠	88	SENSOR - COMPLETE (CN-TANK)	1	CWA50C2629	←	
	89	FLEXIBLE PIPE (L-TUBE)	1	CWH5850080	←	
	90	PACKING - L.TUBE	1	CWB81012	←	
⚠	91	ELECTRONIC CONTROLLER - SUB	1	ACXA73-36370	←	

**Note:**

- All parts are supplied from PAPAMY, Malaysia (Vendor Code: 00029488).
- "O" marked parts are recommended to be kept in stock.